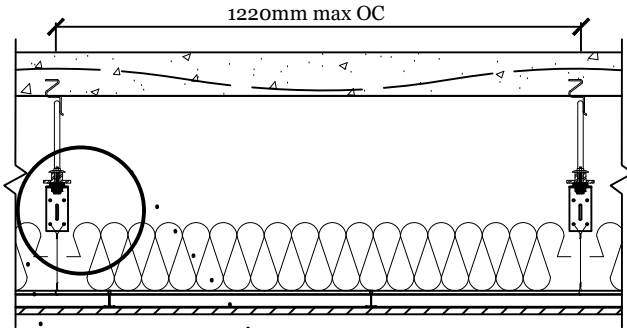
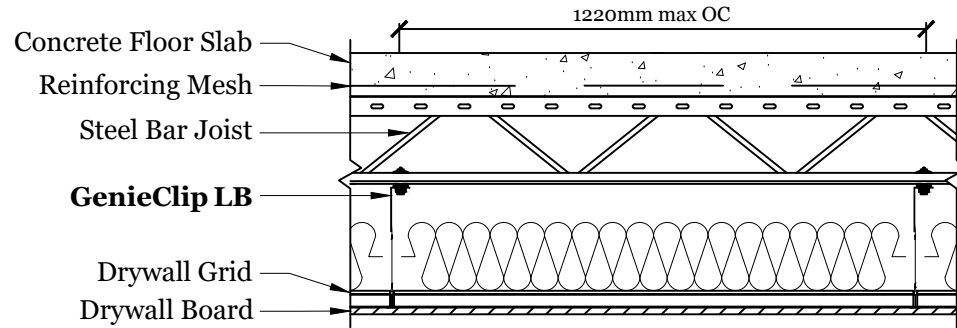


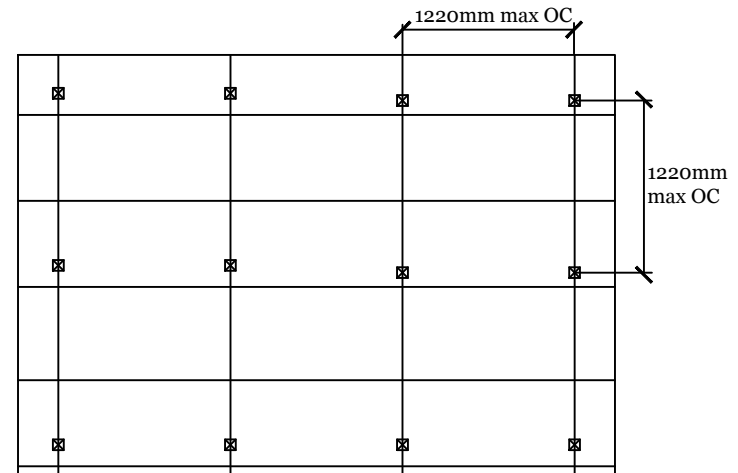
**PROFILE VIEW**



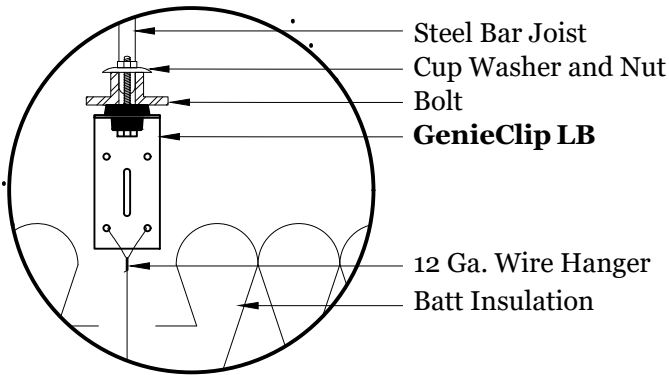
**FRONT VIEW**



**PLAN VIEW**



Main Tee: North - South  
Cross Tee: East - West



Phone: +44 203 9846444  
cs@pliteq.co.uk

**GENERAL NOTES:**

The information provided in this drawing is accurate to the best of our knowledge at the time of printing. However, we reserve the right to make changes when necessary without notification.  
© Pliteq (UK) LTD. 2017

**Notes**

PROJECT: **GenieClip® LB** Ceiling Suspension Series

DRAWING: Composite Steel Bar Joist Floor to Drywall Grid Ceiling

DRAWN BY: G. Hart

DATE: 2017-01-10

DWG. NO.: LB14

SCALE: N/A