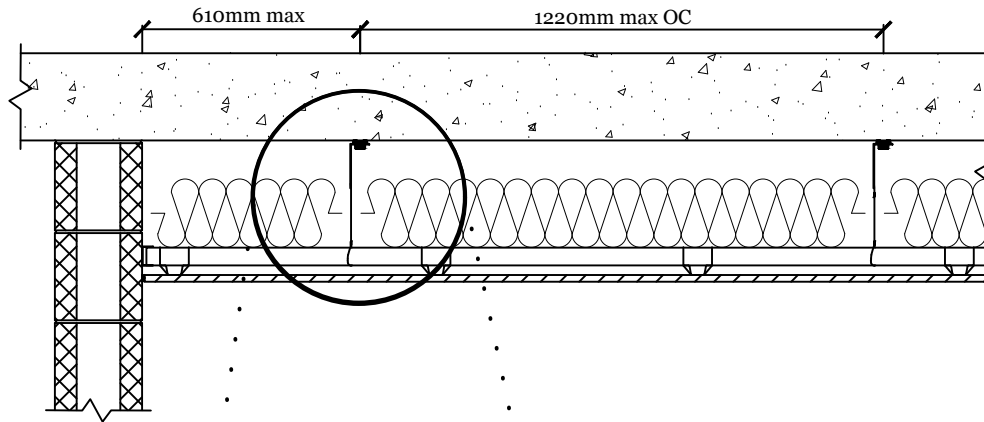
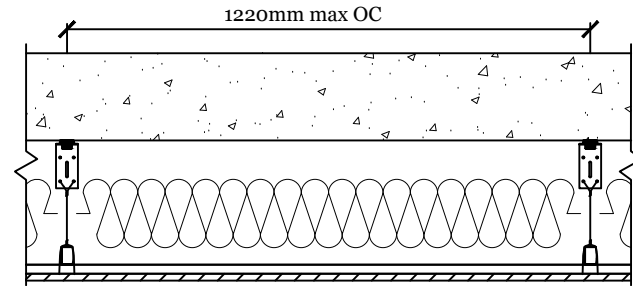


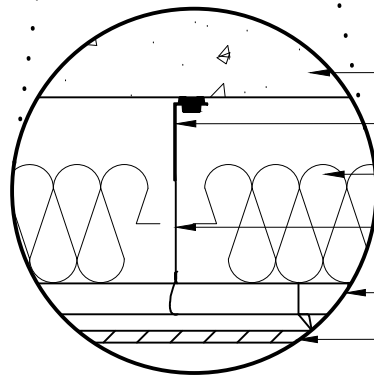
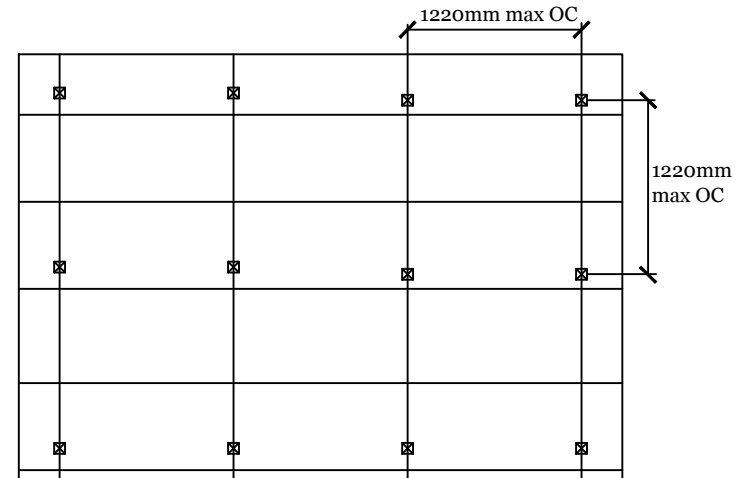
PROFILE VIEW



FRONT VIEW



PLAN VIEW



- Concrete Floor Slab
- GenieClip LB**
- Insulation
- 12 Ga. Wire Hanger
- C Channel and Furring Channel Grid
- Drywall

C Channel: North-South
Furring Channel: East - West



Phone: +44 203 9846444
cs@pliteq.co.uk

GENERAL NOTES:
The information provided in this drawing is accurate to the best of our knowledge at the time of printing. However, we reserve the right to make changes when necessary without notification.
© Pliteq (UK) LTD. 2017

Notes

PROJECT: GenieClip® LB Ceiling Suspension Series	
DRAWING: Concrete Floor Slab to Channel Grid Ceiling	
DRAWN BY: G. Hart	
DATE: 2017-01-10	DWG. NO.: LB13
SCALE: N/A	