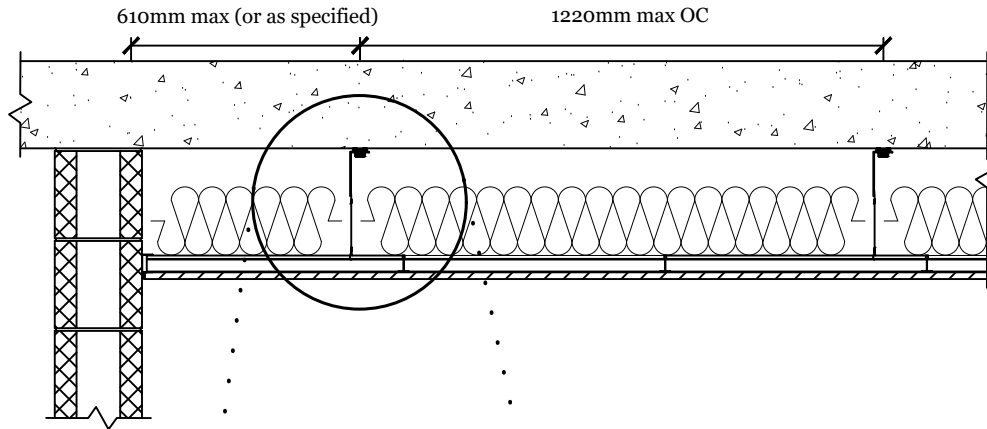
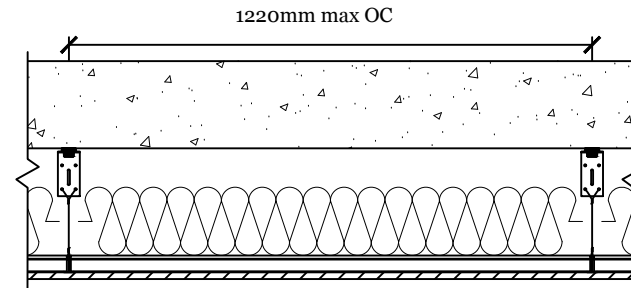


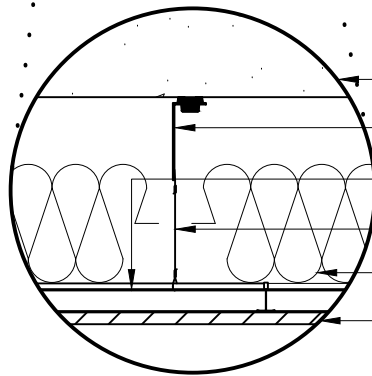
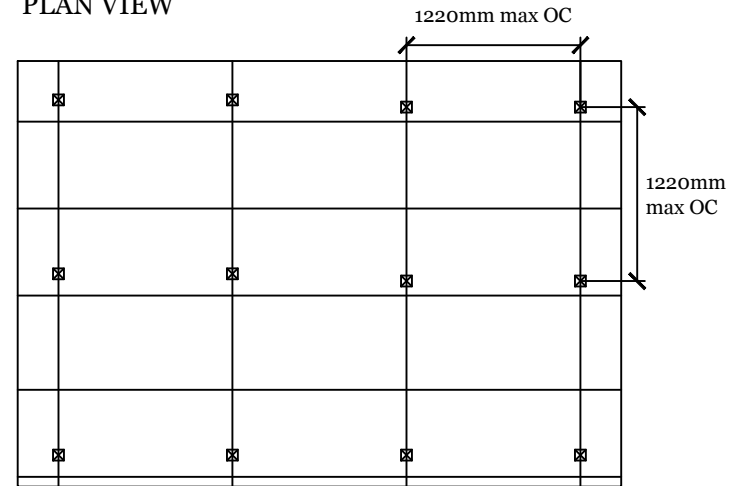
**PROFILE VIEW**



**FRONT VIEW**



**PLAN VIEW**



- Concrete Floor Slab
- GenieClip LB**
- Drywall Grid
- 12 Ga. Wire Hanger
- Insulation
- Drywall

Main Tee: North - South  
 Cross Tee: East - West



Phone: +44 203 9846444  
 cs@pliteq.co.uk

**GENERAL NOTES:**

The information provided in this drawing is accurate to the best of our knowledge at the time of printing. However, we reserve the right to make changes when necessary without notification.  
 © Pliteq (UK) LTD. 2017

**Notes**

PROJECT: **GenieClip® LB** Ceiling Suspension Series

DRAWING: Concrete Floor Slab to Drywall Grid Ceiling

DRAWN BY: J. Joo

DATE: 2017-01-10

DWG. NO.:  
 LB12

SCALE: N/A