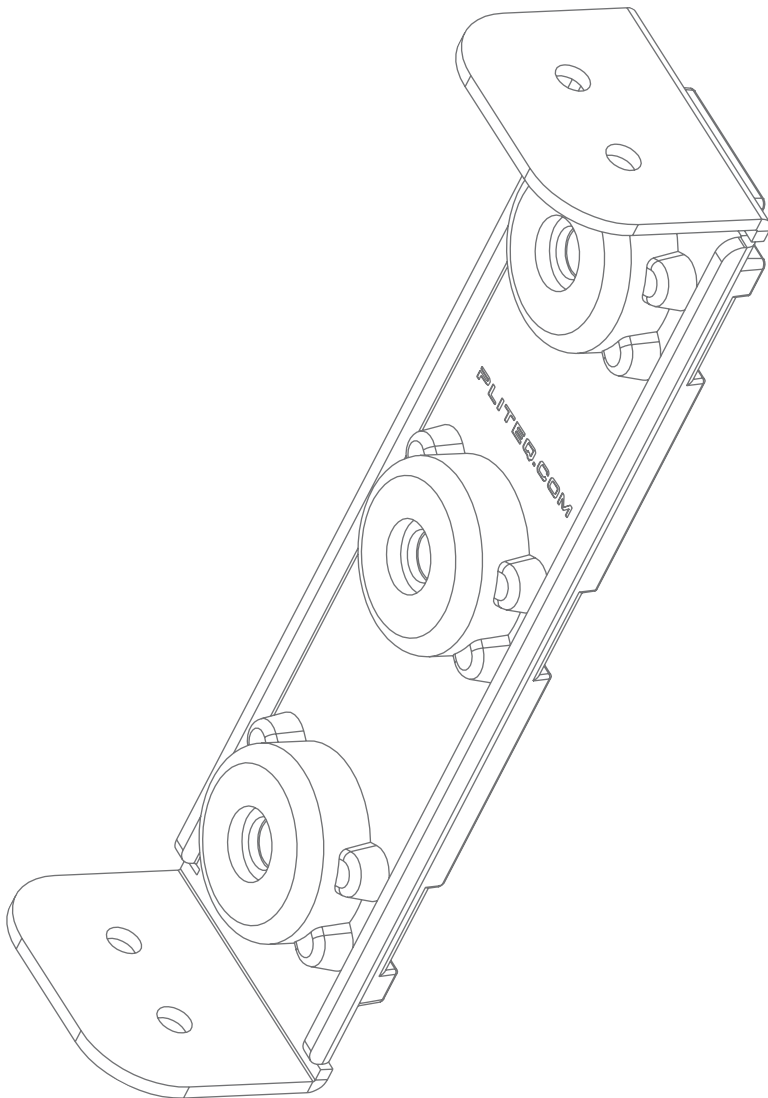




It's not magic, it's engineering.®

GENIECLIP® MOUNT

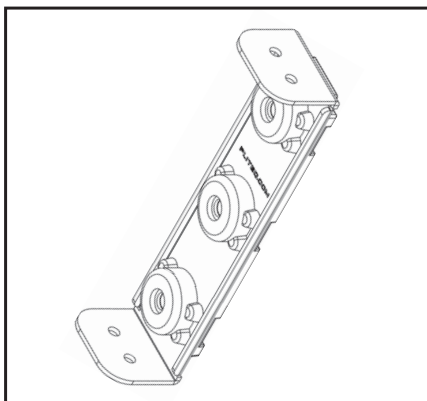
Resilient Sound Isolation Clip for
Heavy Mounting



INSTALLATION INSTRUCTIONS

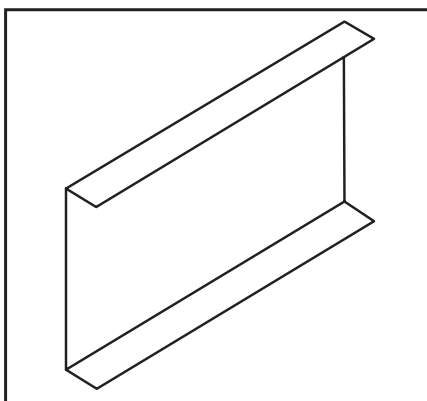
NOTE: If at any time there is a question or concern as to the installation methods please contact Pliteq Inc. or your local representative.





GenieClip® Mount Specifications

Width	1.63" (41 mm)
Height	6.25" (159 mm)
Depth	1.58" (40 mm)
Weight	0.41 lbs (186 grams)
Max Spacing along Stud Track OC	48" (1.22 m)
Max Design Load (Shear)	200 lbs (90 kg)
Max Design Load (Tension)	100 lbs (45 kg)

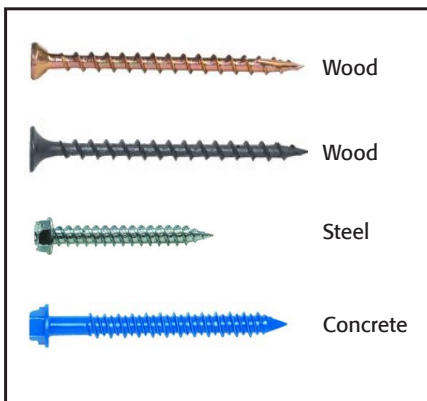


Metal Stud "T" Track Specifications

Gage minimum	20 ga. (33 mil)
Member Web Width	6" (152 mm)
Flange Width	1.25" (32 mm)
Max Spacing between GenieClip® Mounts	48" (1.2 mm)
Max Design Load (Shear)	200 lbs (90 kg)
Max Design Load (Tension)	100 lbs (45 kg)

NOTES

- Metal "T" Track must be true 20 ga. (33 mil) material not 20 ga. equivalent

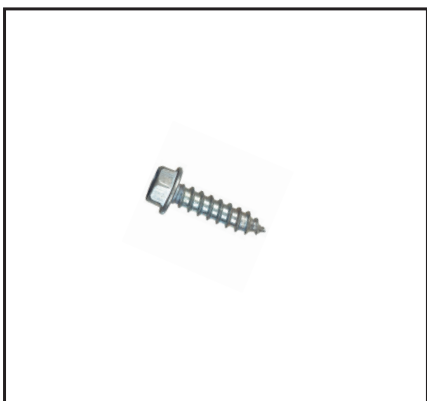


Fasteners for Wood, Steel or Concrete

Wood	#8, #10, or #12 x 2 1/2" Coarse Thread Wood Screw or #8, #10, or #12 x 2 1/2" Coarse Thread Drywall Screw
Steel	#8, #10 or #12 x 1 1/2" Fine Thread Self-Piercing Sheet Metal Screw
Concrete	3/16" or 1/4" x 2 1/4" Screw Anchor

NOTES

- Use fasteners that will have a minimum of 120 lbs pull out or shear strength in the wood, steel or concrete substrate.
- Tighten fasteners until they make solid contact with the top washer on the **GenieClip Mount**. For best acoustic results DO NOT OVER TIGHTEN



Fasteners for Metal Track to GenieClip Mount

Steel	#10 x 1/2" Sheet Metal Screws
-------	-------------------------------

NOTES

- Screw point can be sharp or self-tapping

INSTALLATION GUIDELINES

1. Layout location where mounting is needed.
2. Select number of **GenieClip® Mount** needed to support the design load (See load table).
3. Attach **GenieClip Mount** to structure on either side of the mounting locations 48 inch (1.2 m) o.c. max using appropriate fasteners as listed below (**Fig.1**).
4. Insert metal track into **GenieClip Mount** (Figure 2). Line up front face of track with end of tabs on the **GenieClip Mount** (**Fig.2b**).
 - Note: only needed if flange width does not meet “T” track spec.
5. Secure track to **GenieClip Mount** with #10 x 1/2” sheet metal screws (**Fig. 3**).
 - Note: 1 screw on top and bottom for shear applications.
2 screws on top and bottom for tensile applications.
 - If installing in conjunction with the **GenieClip RST** system refer to separate **GenieClip RST** instructions.
6. Use appropriate screws to secure desired object to metal track through the gypsum board wall.

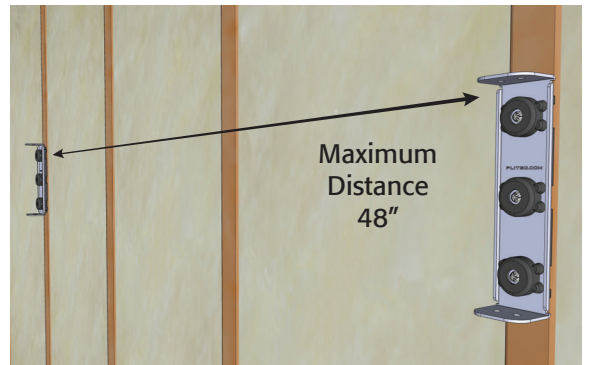


Figure 1

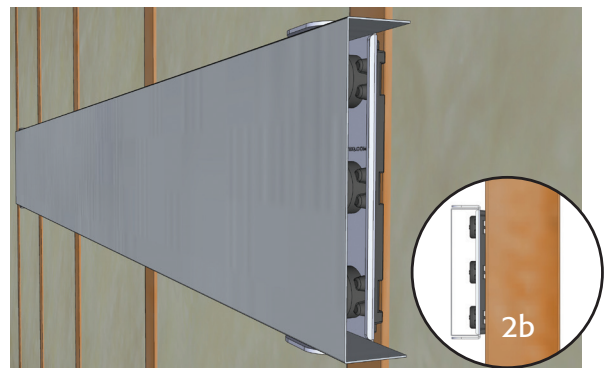


Figure 2

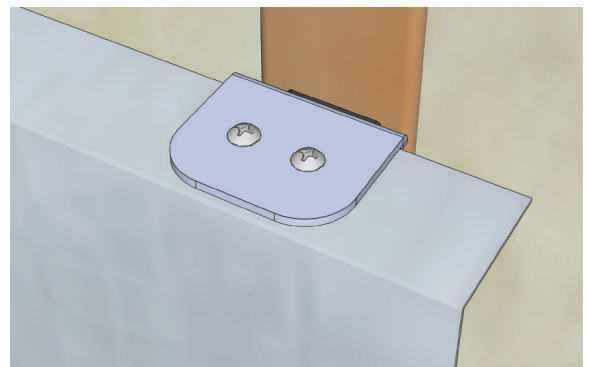


Figure 3

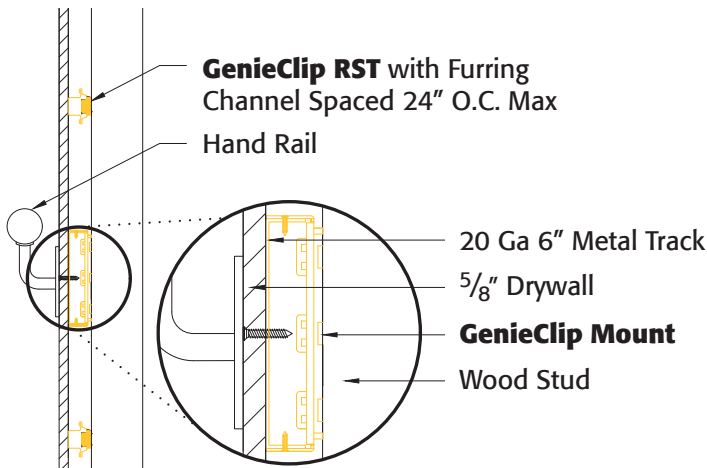


Figure 4: **GenieClip Mount** Installed in Conjunction with **GenieClip RST**

CONTACT US

For Your Project Specific Questions

UK +44 203 9846444 | **Asia Pacific** +65 8452 6865 | **Middle East** +971 4 813 5501

E. info@pliteq.co.uk

© Pliteq (UK) LTD. 2019.

0619 [®]™ Trademarks of Pliteq Inc. The information provided is accurate to the best of our knowledge at the time of issue. However, we reserve the right to make changes when necessary without further notification. Suggested application may need to be modified to conform with local building codes and conditions. We cannot accept responsibility for products that are not used, or installed, to our specifications. All listed dimensions are nominal.



www.pliteq.co.uk